



New Product - Chalmers Torque Rod

Update #2363

Attention: Dayton Parts' Distributors and Business Partners.

Dayton Parts would like to make you aware of new product availability:

Dayton Part Number: 345-917

Chalmers Adjustable Torque Rod, ref 807250

Used on 800 series suspensions, 25" mean length C/C.



345-917 Torque Rod

Call 800-233-0899 today to place your order.

Earl Rabold
Product Manager/Suspensions

Visit us on the World Wide Web at www.daytonparts.com

Dayton Parts, LLC • PO Box 5795 • Harrisburg, PA 17110-0795 • 800-233-0899 • Fax 800-225-2159
Dayton Parts/Batco • 12390 184th Street • Edmonton, Alberta T5V 0A5 • 800-661-9861 • Fax 888-207-9064



New Product - Freightliner U-Bolt Top Plate

Update #2364

Attention: Dayton Parts' Distributors and Business Partners.

Dayton Parts would like to make you aware of new product availability:

Dayton Part Number: 338-2226

Freightliner U-Bolt Top Plate, ref 680-325-0231

Used on MT 35/45, FCC rear suspensions with semi-round u-bolts.



338-2226 U-Bolt Top Plate

Call 800-233-0899 today to place your order.

A handwritten signature in black ink, appearing to read "Earl Rabold".

Earl Rabold
Product Manager/Suspensions

Visit us on the World Wide Web at www.daytonparts.com

Dayton Parts, LLC • PO Box 5795 • Harrisburg, PA 17110-0795 • 800-233-0899 • Fax 800-225-2159
Dayton Parts/Batco • 12390 184th Street • Edmonton, Alberta T5V 0A5 • 800-661-9861 • Fax 888-207-9064



New Product - Freightliner Torque Rod

Update #2362

Attention: Dayton Parts' Distributors and Business Partners.

Dayton Parts would like to make you aware of new product availability:

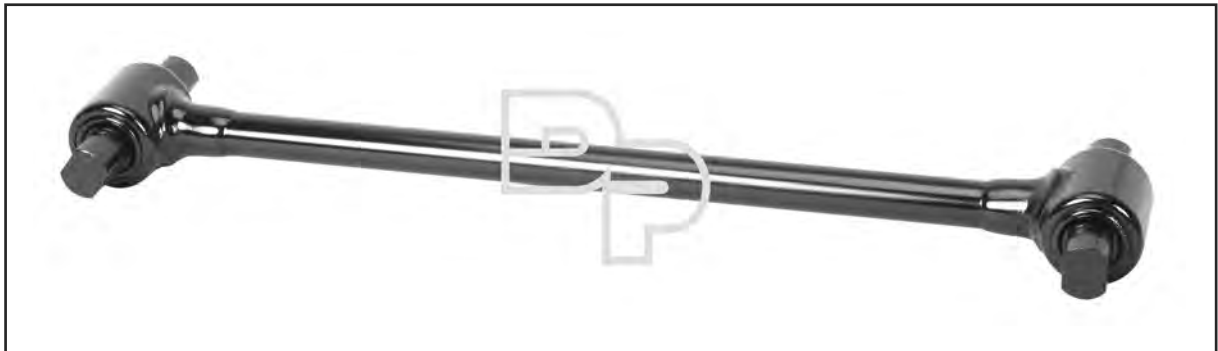
Dayton Part Number: 345-916

Freightliner Solid Shaft Torque Rod, ref 16-18972-000

Used on FASII suspensions, 24.21" length C/C, high confinement ends, 5/8" x 4 3/8" C/C

0° & 37° clocked non-replaceable bushings.

replaces 16-15632-000



345-916 Torque Rod

Call 800-233-0899 today to place your order.

A handwritten signature in black ink, appearing to read "Earl Rabold".

Earl Rabold
Product Manager/Suspensions

Visit us on the World Wide Web at www.daytonparts.com

Dayton Parts, LLC • PO Box 5795 • Harrisburg, PA 17110-0795 • 800-233-0899 • Fax 800-225-2159
Dayton Parts/Batco • 12390 184th Street • Edmonton, Alberta T5V 0A5 • 800-661-9861 • Fax 888-207-9064

Product Update - Air Spring Bead Plate Coating

Update #2347

Attention: Dayton Parts' Distributors and Business Partners.

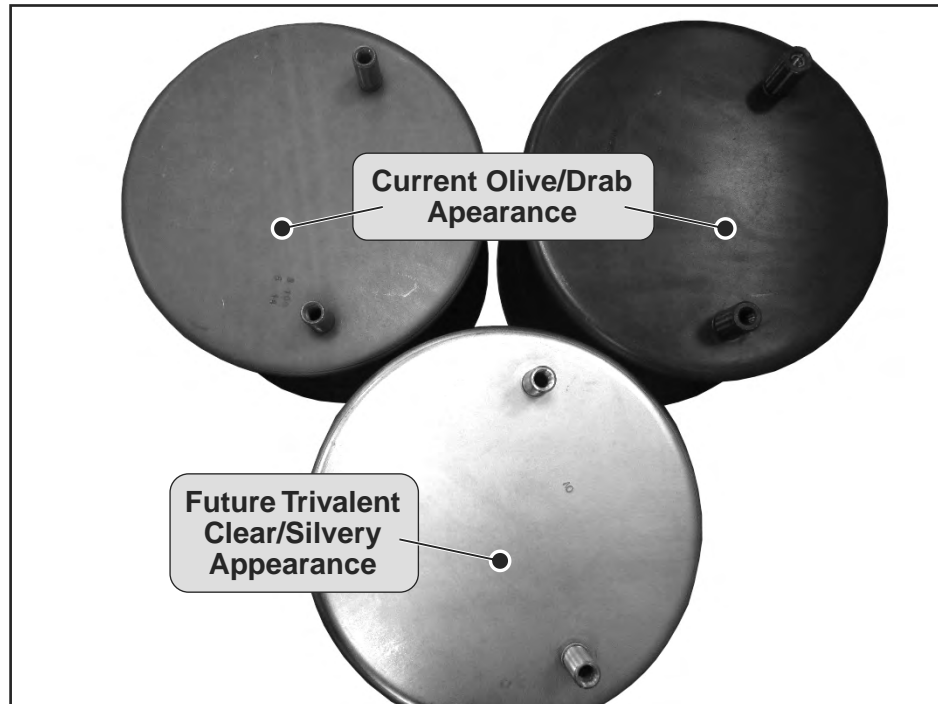
Dayton Parts would like to make you aware of a product update:

Recent improvements in trivalent passivate technology with additional top coating/sealers are to a level that Veyance is ready to change their coating system, common in air spring bead plates, to a more environmentally friendly treatment without reducing corrosion resistance. The zinc plating material and thickness applied to the base metal surfaces is not changing, only the surface treatment that initially protects the exposed zinc plated surface.

As many OE customers implement new coating standards, trivalent passivate treatment is becoming the new standard for replacing older, less environmentally friendly conversion coating technology applied to zinc plating.

There have been no dimensional changes affecting the fit or function of these bead plates, but the appearance will change from the current "olive drab" green to a clear/silvery appearance as shown below.

This will be a running change as inventory is replenished and will start transitioning later in 4th quarter of 2014.



Earl Rabold
Product Manager/Suspensions

Visit us on the World Wide Web at www.daytonparts.com

Dayton Parts, LLC • PO Box 5795 • Harrisburg, PA 17110-0795 • 800-233-0899 • Fax 800-225-2159
Dayton Parts/Batco • 12390 184th Street • Edmonton, Alberta T5V 0A5 • 800-661-9861 • Fax 888-207-9064

**Hendrickson Trailer
3-Way Air Valve**

Update #2127A

Attention: Dayton Parts' Distributors and Business Partners.

Dayton Parts would like to make you aware of new product availability:

Hendrickson Trailer, 3-Way Air Valve

Hendrickson P/N AS-25223 (valve) / AS-25224 (valve assembly as shown)

Dayton Parts P/N **334-1846**

Used to actuate QuikDraw pneumatic slider pin mechanisms and other applications requiring automatic reset.



334-1846
3-Way Air Valve Assembly

Call 800-233-0899 today to place your order.

Sincerely,

Earl Rabold
Product Manager/Suspensions

Visit us on the World Wide Web at www.daytonparts.com

Dayton Parts, LLC • PO Box 5795 • Harrisburg, PA 17110-0795 • 800-233-0899 • Fax 800-225-2159
DP/Batco Canada • 12390 184th Ave. • Edmonton, Alberta T5V 0A5 • 800-661-9861 • Fax 888-207-9064

New Product - Hendrickson Trailer HT Air Spring Mounts

Update #2359

Attention: Dayton Parts' Distributors and Business Partners.

Dayton Parts would like to make you aware of new product availability:

Dayton Part Number: 338-2213

Hendrickson Trailer, Roadside Air Spring/Shock Mount 3", C-21219-1

Used on HT250T17-001, 006, 022, 501; TA17-001: TB17-001, 024.



338-2213

Dayton Part Number: 338-2214

Hendrickson Trailer, Curbside Air Spring/Shock Mount 3", C-21219-2

Used on HT250T17-001, 006, 022, 501; TA17-001: TB17-001, 024.



338-2214

Dayton Part Number: 338-2228

Hendrickson Trailer, Air Spring Mounting Plate, A-24966

Used on HT300U.



338-2228

Dayton Part Number: 338-2229

Hendrickson Trailer, Roadside Air Spring/Shock Mount, C-20708-1

Used on HT300-19-001.



338-2229

Dayton Part Number: 338-2230

Hendrickson Trailer, Curbside Air Spring/Shock Mount, C-20708-2

Used on HT300-19-001.



338-2230

Call 800-233-0899 today to place your order.

Earl Rabold
Product Manager/Suspensions

Visit us on the World Wide Web at www.daytonparts.com

Dayton Parts, LLC • PO Box 5795 • Harrisburg, PA 17110-0795 • 800-233-0899 • Fax 800-225-2159
Dayton Parts/Batco • 12390 184th Street • Edmonton, Alberta T5V 0A5 • 800-661-9861 • Fax 888-207-9064

**New Product - Hendrickson Trailer
HT 250 US Beam Assemblies**

Update #2366

Attention: Dayton Parts' Distributors and Business Partners.

Dayton Parts would like to make you aware of new product availability:

Dayton Part Number: 338-2233

Hendrickson Trailer, Beam Assembly, Roadside, S-24186-1

Use on HT 250 US suspensions.

Dayton Part Number: 338-2234

Hendrickson Trailer, Beam Assembly, Curbside, S-24186-2

Use on HT 250 US suspensions.



338-2233
Beam Assembly, Roadside



338-2234
Beam Assembly, Curbside

Call 800-233-0899 today to place your order.

Earl Rabold
Product Manager/Suspensions

Visit us on the World Wide Web at www.daytonparts.com

Dayton Parts, LLC • PO Box 5795 • Harrisburg, PA 17110-0795 • 800-233-0899 • Fax 800-225-2159
Dayton Parts/Batco • 12390 184th Street • Edmonton, Alberta T5V 0A5 • 800-661-9861 • Fax 888-207-9064

New Product - Hendrickson Trailer HT300 Hangers

Update #2358

Attention: Dayton Parts' Distributors and Business Partners.

Dayton Parts would like to make you aware of new product availability:

Dayton Part Number: 338-2223

Hendrickson Trailer, Roadside Hanger, S23790-1

Used on HT300TB-001, 023, 024, 027, 518. Wingless, Weld-on, Quik-Align.

Dayton Part Number: 338-2224

Hendrickson Trailer, Curbside Hanger, S23790-2

Used on HT300TB-001, 023, 024, 027, 518. Wingless, Weld-on, Quik-Align.

Similar to 338-2076/2077 except Quik-Align.



338-2223 Roadside Hanger (shown)

338-2224 Curbside Hanger

Call 800-233-0899 today to place your order.

Earl Rabold
Product Manager/Suspensions

Visit us on the World Wide Web at www.daytonparts.com

Dayton Parts, LLC • PO Box 5795 • Harrisburg, PA 17110-0795 • 800-233-0899 • Fax 800-225-2159
Dayton Parts/Batco • 12390 184th Street • Edmonton, Alberta T5V 0A5 • 800-661-9861 • Fax 888-207-9064

**New Product - Hendrickson Trailer
HT 250/300 US Shock Bolt Kit**

Update #2367

Attention: Dayton Parts' Distributors and Business Partners.

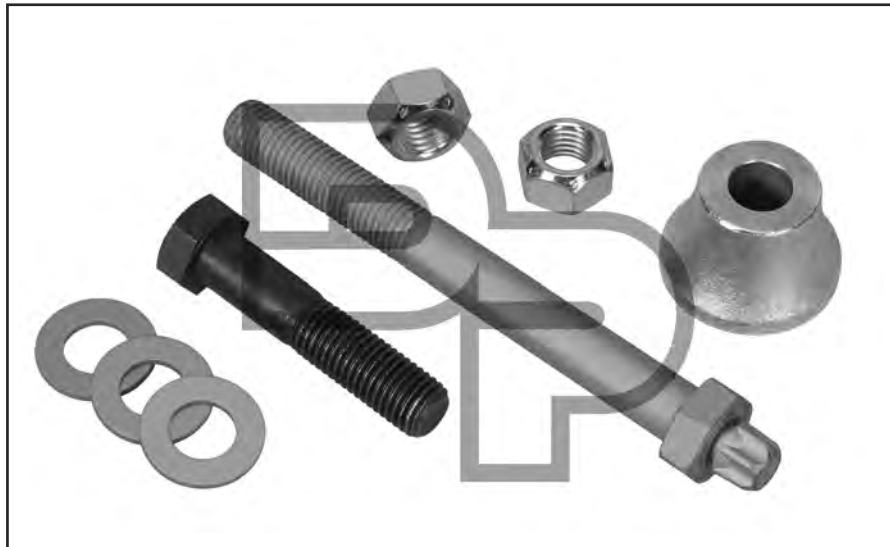
Dayton Parts would like to make you aware of new product availability:

Dayton Part Number: 334-2037

Hendrickson Trailer, Shock Bolt Kit, S-24185-2

Use on HT 250/300 US suspensions with standard mount shock absorber.

Two (2) kits required per axle.



334-2037 Shock Absorber Bolt Kit

Call 800-233-0899 today to place your order.

A handwritten signature in black ink, appearing to read "Earl Rabold".

Earl Rabold
Product Manager/Suspensions

Visit us on the World Wide Web at www.daytonparts.com

Dayton Parts, LLC • PO Box 5795 • Harrisburg, PA 17110-0795 • 800-233-0899 • Fax 800-225-2159
Dayton Parts/Batco • 12390 184th Street • Edmonton, Alberta T5V 0A5 • 800-661-9861 • Fax 888-207-9064

New Product - Hendrickson Truck Haulmaax Auxilliary Spring Kits

Update #2368

Attention: Dayton Parts' Distributors and Business Partners.

Dayton Parts would like to make you aware of new product availability:

Dayton Part Number: 334-2029

Hendrickson Truck, Auxiliary Spring Kit, 60961-745

Use on Haulmaax suspension. Includes one auxilliary progressive load spring. (same as 334-1968 less shims) This kit services one side of one suspension.

Dayton Part Number: 334-2030

Hendrickson Truck, Auxiliary Spring Kit, 60961-746

Use on Haulmaax suspension. Includes one auxiliary standard load spring and one auxiliary progressive load spring. Used to help adjust for vehicle lean conditions caused by vehicle weight bias. This kit services one suspension.

Dayton Part Number: 334-2031

Hendrickson Truck, Auxiliary Spring Kit, 60961-747

Use on Haulmaax suspension. Includes two auxiliary progressive load spring. This kit services one suspension.



Call 800-233-0899 today to place your order.

Earl Rabold
Product Manager/Suspensions

Visit us on the World Wide Web at www.daytonparts.com

Dayton Parts, LLC • PO Box 5795 • Harrisburg, PA 17110-0795 • 800-233-0899 • Fax 800-225-2159
Dayton Parts/Batco • 12390 184th Street • Edmonton, Alberta T5V 0A5 • 800-661-9861 • Fax 888-207-9064

New Product - Hendrickson Truck Bolster Spring Kits

Update #2365

Attention: Dayton Parts' Distributors and Business Partners.

Dayton Parts would like to make you aware of new product availability:

Dayton Part Number: 334-2035

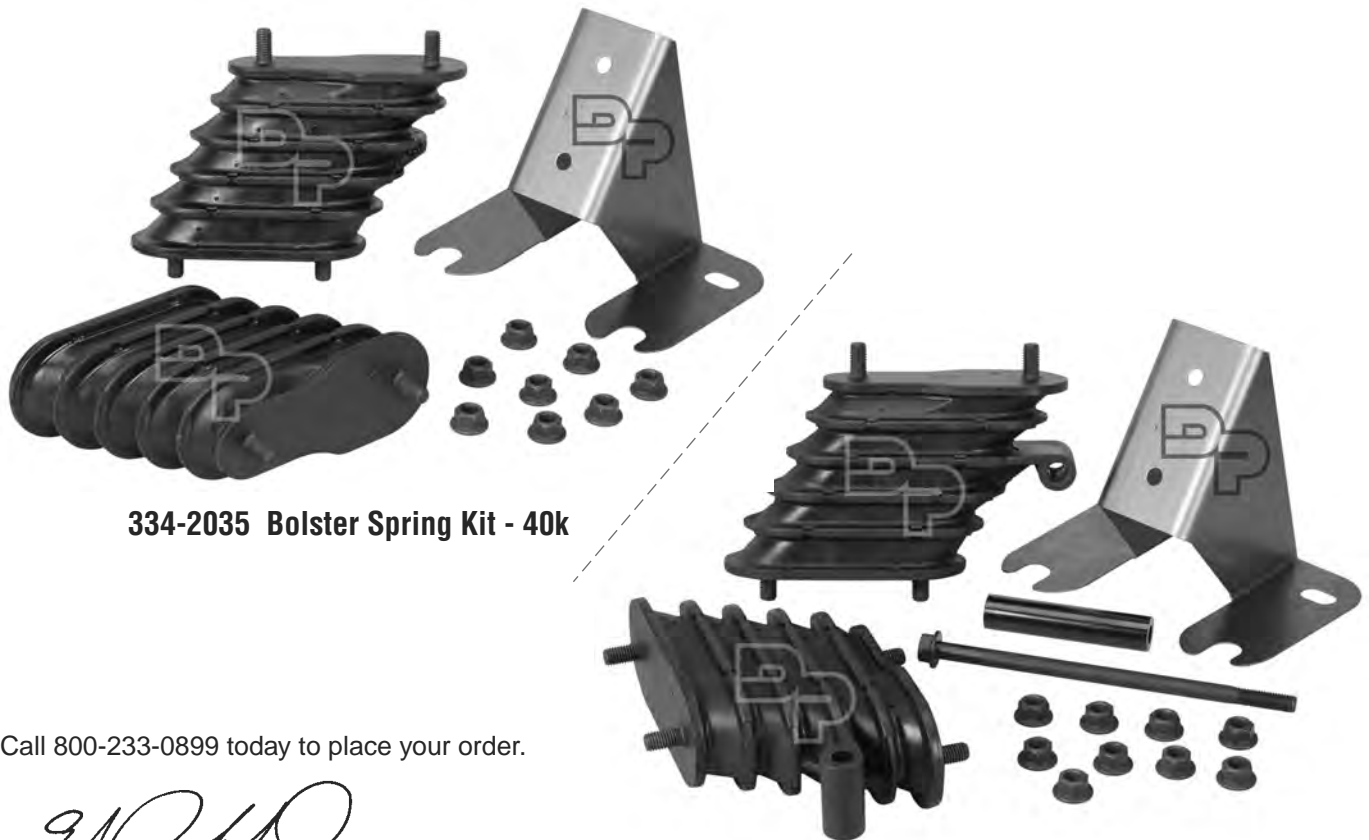
Hendrickson Truck, Bolster Spring Kit, 64179-049, 64179-49

Use on Haulmaax 40k suspension. Includes bolsters and wearplate bracket. Replaces 334-1727 (64179-2).
334-1727 available while supply lasts.

Dayton Part Number: 334-2036

Hendrickson Truck, Bolster Spring Kit, 64179-048, 64179-48

Use on Haulmaax 46k suspension. Includes bolsters, tie bar, and wearplate bracket. Replaces 334-1845 (64179-37).
334-1845 available while supply lasts.



334-2035 Bolster Spring Kit - 40k

334-2036 Bolster Spring Kit - 46k

Call 800-233-0899 today to place your order.

Earl Rabold
Product Manager/Suspensions

Visit us on the World Wide Web at www.daytonparts.com

Dayton Parts, LLC • PO Box 5795 • Harrisburg, PA 17110-0795 • 800-233-0899 • Fax 800-225-2159
Dayton Parts/Batco • 12390 184th Street • Edmonton, Alberta T5V 0A5 • 800-661-9861 • Fax 888-207-9064

**New Product - Hendrickson Truck
Primaax EX Hanger**

Update #2369

Attention: Dayton Parts' Distributors and Business Partners.

Dayton Parts would like to make you aware of new product availability:

Dayton Part Number: 338-2237

Hendrickson Truck, Hanger, 67706-000

Use on Primaax EX / Firemaax EX suspensions — 8 1/2" - 10" ride heights.

338-2237 Primaax EX Hanger



Call 800-233-0899 today to place your order.

A handwritten signature in black ink, appearing to read "Earl Rabold".

Earl Rabold
Product Manager/Suspensions

Visit us on the World Wide Web at www.daytonparts.com

Dayton Parts, LLC • PO Box 5795 • Harrisburg, PA 17110-0795 • 800-233-0899 • Fax 800-225-2159
Dayton Parts/Batco • 12390 184th Street • Edmonton, Alberta T5V 0A5 • 800-661-9861 • Fax 888-207-9064

New Product - U-Beam Assembly Service Kits

Update #2225C (Rev C June, 2015, added 338-2238, 2239)

Attention: Dayton Parts' Distributors and Business Partners.

Dayton Parts would like to make you aware of new product availability and recent changes and upgrades to Hendrickson PRIMAAX/FIREMAAX suspensions. General parts information is outlined on page two of this bulletin. For complete detailed information, refer to Hendrickson Technical Bulletin #SEU-0229. (www.hendrickson-intl.com)

NEW

Dayton Part Number: 338-2238 — U-Beam Assembly Service Kit - Front of Rear Axle

Hendrickson P/N 60961-237 - Used on Volvo, Mack with PRIMAAX 230/460/690 & FIREMAAX 240/480 - all with 33.5" frame. (338-2238 replaces 338-2068 beam + 338-2069 beam + 60912-5 cross tube assembly)

NEW

Dayton Part Number: 338-2239 — U-Beam Assembly Service Kit - Rear of Rear Axle

Hendrickson P/N 60961-238 - Used on Volvo, Mack with PRIMAAX 230/460/690 & FIREMAAX 240/480 - all with 33.5" frame. (338-2239 replaces 338-2066 beam + 338-2067 beam + 60912-5 cross tube assembly)

(See page 2 for additional U-Beam Assemblies)



U-Beam Assembly Service Kit

- Service Kit includes:
- 2 - Support Beam Assemblies
 - 1 - Cross Tube
 - 2 - Air Spring Assemblies
 - Air Spring Fasteners
 - Quik-Align Fasteners
 - D-Pin Fasteners

continued on page 2

New Product - U-Beam Assembly Service Kits

Update #2225C (Rev C June, 2015) (continued from page 1)

PRIMAAX 230/460/690 • FIREMAAX 240/480

Vehicle Manufacturer	Frame Width*	Axle Position	NEW	** Discontinued	
			U-Beam Assembly Service Kit Number	Left Hand	Right Hand
Volvo Mack	33.5"	Forward	338-2238 <small>NEW</small> 60961-237	338-2068 (66435-3)	338-2069 (66435-4)
		Rear	338-2239 <small>NEW</small> 60961-238	338-2066 (66435-1)	338-2067 (66435-2)
Kenworth Western Star All Fire/Rescue (except Spartan)	34.0"	Forward	338-2083 (60961-235)	338-2068 (66435-3)	338-2069 (66435-4)
		Rear	338-2084 (60961-236)	338-2066 (66435-1)	338-2067 (66435-2)
IPI Advance Oshkosh	34.0" Tall Fab. Hanger	Forward	338-2146 (60961-247)	338-2068 (66435-3)	338-2069 (66435-4)
		Rear	338-2147 (60961-248)	338-2066 (66435-1)	338-2067 (66435-2)
Freightliner Sterling Autocar	34.3"	Forward	338-2207 (60961-241)	338-2068 (66435-3)	338-2069 (66435-4)
		Rear	338-2208 (60961-242)	338-2066 (66435-1)	338-2067 (66435-2)
Freightliner Sterling	34.5"	Forward	60961-239	338-2068 (66435-3)	338-2069 (66435-4)
		Rear	60961-240	338-2066 (66435-1)	338-2067 (66435-2)
International	34.3"	Forward	60961-261	338-2068 (66435-3)	338-2069 (66435-4)
		Rear	60961-262	338-2066 (66435-1)	338-2067 (66435-2)
	34.5"	Forward	338-2195 (60961-263)	338-2068 (66435-3)	338-2069 (66435-4)
		Rear	338-2196 (60961-264)	338-2066 (66435-1)	338-2067 (66435-2)
	34.8"	Forward	60961-243	338-2068 (66435-3)	338-2069 (66435-4)
		Rear	60961-244	338-2066 (66435-1)	338-2067 (66435-2)



** Forging Part Number Location

PRIMAAX 260/520/780 • FIREMAAX 270/540

Kenworth Western Star All Fire/Rescue (except Spartan)	34.0"	Forward	60961-253	338-2072 (66435-7)	338-2073 (66435-8)
		Rear	60961-254	338-2070 (66435-5)	338-2071 (66435-6)
Freightliner	34.3"	Forward	60961-257	338-2072 (66435-7)	338-2073 (66435-8)
		Rear	60961-258	338-2070 (66435-5)	338-2071 (66435-6)
	34.5"	Forward	60961-255	338-2072 (66435-7)	338-2073 (66435-8)
		Rear	60961-256	338-2070 (66435-5)	338-2071 (66435-6)

Refer to
Hendrickson Technical Bulletin
#SEU-0229 for full details.
www.hendrickson-intl.com

* Verify frame width with manufacturer.

** Discontinued beam forging part numbers: 59363-1, 65082, 65284

Visit us on the World Wide Web at www.daytonparts.com

Dayton Parts, LLC • PO Box 5795 • Harrisburg, PA 17110-0795 • 800-233-0899 • Fax 800-225-2159
DP/Batco Canada • 12390 184th Ave. • Edmonton, Alberta T5V 0A5 • 800-661-9861 • Fax 888-207-9064

New Product - Hendrickson Truck Quik-Align Pivot Bushing Tool

Update #2360

Attention: Dayton Parts' Distributors and Business Partners.

Dayton Parts would like to make you aware of new product availability:

Dayton Part Number: 334-2028

Hendrickson Truck, Quik-Align Pivot Bushing Tool, 66086-203

Use when replacing/installing pivot bushings in all PRIMAAX, PRIMAAX EX, FIREMAAX, FIREMAAX EX models.



334-2028 Pivot Bushing Tool

Call 800-233-0899 today to place your order.

Earl Rabold
Product Manager/Suspensions

Visit us on the World Wide Web at www.daytonparts.com

Dayton Parts, LLC • PO Box 5795 • Harrisburg, PA 17110-0795 • 800-233-0899 • Fax 800-225-2159
Dayton Parts/Batco • 12390 184th Street • Edmonton, Alberta T5V 0A5 • 800-661-9861 • Fax 888-207-9064



New Product - Hino Spring Pin

Update #2348

Attention: Dayton Parts' Distributors and Business Partners.

Dayton Parts would like to make you aware of a new product availability.

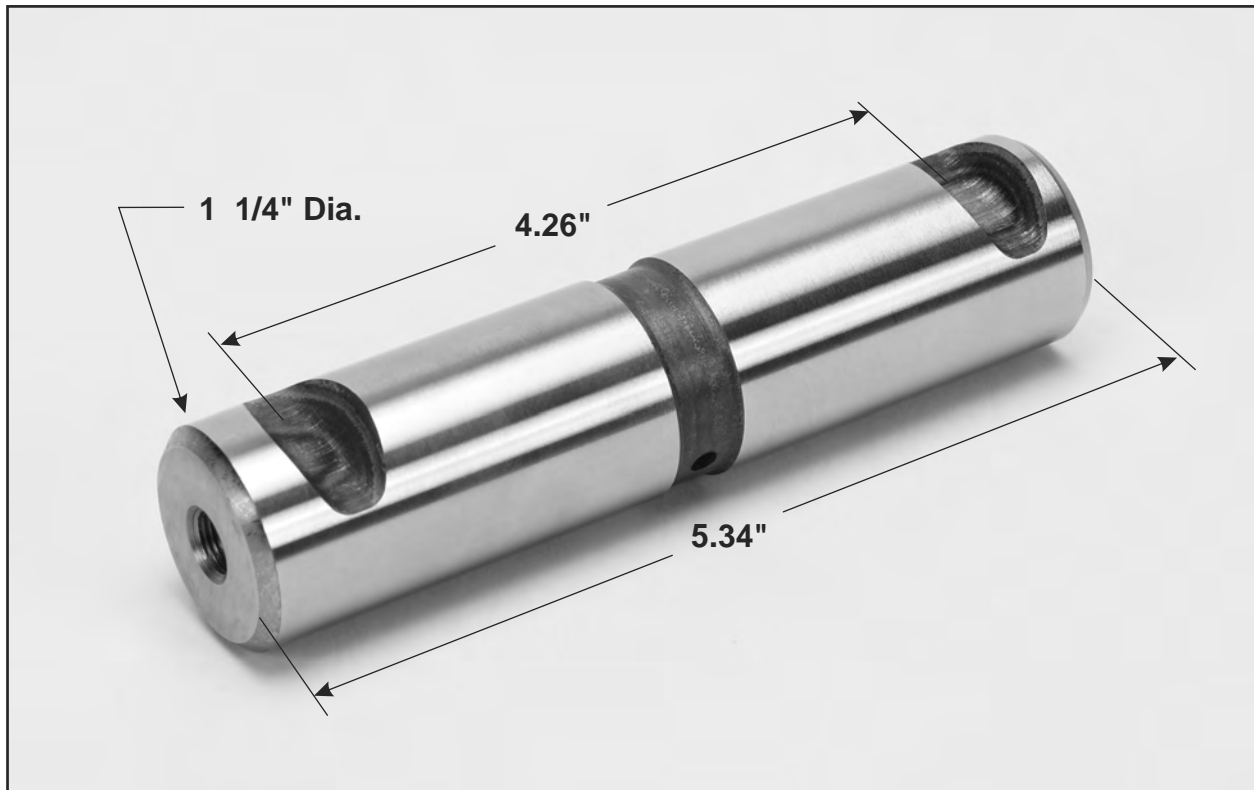
Dayton Part Number: 327-551

Spring Pin

Hino #48423-2720

Used on Hino single axle rear suspensions, 2005-2010.

Use with springs 54-271, 54-277, 54-283, 54-289, 54-295, 54-305, 54-319.



327-551 Spring Pin

Earl Rabold
Product Manager/Suspensions

Visit us on the World Wide Web at www.daytonparts.com

Dayton Parts, LLC • PO Box 5795 • Harrisburg, PA 17110-0795 • 800-233-0899 • Fax 800-225-2159
Dayton Parts/Batco • 12390 184th Street • Edmonton, Alberta T5V 0A5 • 800-661-9861 • Fax 888-207-9064

Dayton Parts has always offered genuine Hutchens products to our customers but part numbers and their catalog reference may have been confusing as to the origin of a few SKU's.

Beginning January 5, 2015, Dayton Parts will make changes to our inventory and add a few part numbers to alleviate any confusion surrounding the origin of these items. The following part numbers are affected. Service, "S" parts are the same made in USA product Dayton Parts has supplied to the market for many years.

Genuine Hutchens Parts 5 Year Warranty			Service Parts 1 Year Warranty
Dayton Part No.	Description	Hutch Part No.	Dayton Part No.
338-399	Seat	22215-01	338-399S
338-409	Seat	19360-01	338-409S
338-410	Seat	19360-02	338-410S
338-411	Seat	19360-03	338-411S
338-419	Equalizer	750-03	338-419S
338-423	Mount	891-00	—
338-426	Mount	898-00	—
338-451	Hanger	7701-01	338-451S
338-452	Hanger	20728-01	338-452S
338-453	Hanger	7702-01	338-453S
338-454	Hanger	7702-02	338-454S
338-455	Hanger	7703-01	338-455S
338-456	Hanger	20732-01	338-456S
338-499	Adj Plate	10608-00	338-499S
338-884	Hanger	16169-01	338-884S
338-885	Hanger	16171-01	338-885S
338-886	Equalizer	16158-01	338-886S
345-164	Torque Rod	16398-04	345-164S
345-165	Torque Rod	16398-06	345-165S
345-167	Torque Rod	715-00	345-167S
345-191	Torque Rod	16398-17	345-191S
345-238	Torque Rod	16398-02	345-238S

See reverse for detail of an exclusive Dayton Parts offer promoting the Genuine Hutch parts option.

Cost of genuine Hutch product may affect final price. Refer to Steering & Suspension Price Sheet dated April 6, 2015, for further information.



Genuine Hutch
Ask for it !



Hutchens Industries

Any \$1700 stock order which includes a minimum \$500 of genuine Hutch product shipped from Dayton Parts' extensive inventory will receive a choice of a "Genuine Parts" shirt or hat. Offer good while supplies last.



To claim promotional items, fax a copy of the completed original Dayton Parts invoice with subject line **HUTCH PROMO** to 800-225-2159 or email same to customerservice@daytonparts.com. Include: choice of hat or shirt (L or XL), name of recipient and full address. Online orders, add **HUTCH PROMO** to the order comment field before submitting order. Items will be mailed directly.



New Product - International Single Axle Rear Hangers

Update #2370

Attention: Dayton Parts' Distributors and Business Partners.

Dayton Parts would like to make you aware of new product availability:

Dayton Part Number: 338-2141

International Trucks, Hanger, Front of Rear, LH, ref 3548526C1

Use on single axle, 2005 and up, with RB bar pin connection

Dayton Part Number: 338-2142

International Trucks, Hanger, Front of Rear, RH, ref 3548527C1

Use on single axle, 2005 and up, with RB bar pin connection

Dayton Part Number: 338-2143

International Trucks, Hanger, Rear of Rear, LH, ref 3548532C1

Use on single axle, 2005 and up, with RB bar pin connection

Dayton Part Number: 338-2144

International Trucks, Hanger, Rear of Rear, RH, ref 3548533C1

Use on single axle, 2005 and up, with RB bar pin connection



**338-2141 Hanger, LH
Front of Rear**



**338-2143 Hanger, LH
Rear of Rear**



**338-2144 Hanger, RH
Rear of Rear**



**338-2142 Hanger, RH
Front of Rear**

Call 800-233-0899 today to place your order.

Earl Rabold
Product Manager/Suspensions

Visit us on the World Wide Web at www.daytonparts.com

Dayton Parts, LLC • PO Box 5795 • Harrisburg, PA 17110-0795 • 800-233-0899 • Fax 800-225-2159
Dayton Parts/Batco • 12390 184th Street • Edmonton, Alberta T5V 0A5 • 800-661-9861 • Fax 888-207-9064



Product Update - PACCAR Threaded Bushing Conversion Kits

Update #2361

Attention: Dayton Parts' Distributors and Business Partners.

Dayton Parts would like to make you aware of new product availability:

PACCAR Trucks, Threaded Bushing Conversion Kit

Used on applications with rubber bushed steer axle suspensions using 4" wide front springs:

Kenworth W900B/L, 1982-2011; W900S, 2006-2011

Peterbilt 356, 357, 389, 2005-2011; 587, 2010-2011

Used with **330-125** Shackle Side Bars

All kits include (6) Grease Zerk Fittings

339-308 — (Replaces 6 RB-295 bushings)

Contains: **(6) 327-540** Threaded Spring Pins, 6 1/4" C/C & **(6) TB-77** Threaded Bushings, 1 3/4" dia.

339-309 — (Replaces 2 RB-295 & 4 RB-328 bushings)

Contains: **(2) 327-540** Threaded Spring Pins, 6 1/4" C/C & **(4) 327-544** Threaded Spring Pins, 5 7/16" C/C & **(6) TB-77** Threaded Bushings, 1 3/4" dia.

339-310 — (Replaces 2 RB-308 & 4 RB-324 bushings)

Contains: **(2) 327-540** Threaded Spring Pins, 6 1/4" C/C & **(4) 327-544** Threaded Spring Pins, 5 7/16" C/C & **(6) TB-81** Threaded Bushings, 2 1/16" dia.

339-311 — (Replaces 6 RB-308 bushings)

Contains: **(6) 327-540** Threaded Spring Pins, 6 1/4" C/C & **(6) TB-81** Threaded Bushings, 2 1/16" dia.

339-312 — (Replaces 6 RB-249 bushings)

Contains: **(6) 327-537** Threaded Spring Pins, 5 3/4" C/C & **(6) TB-77** Threaded Bushings, 1 3/4" dia.

Call 800-233-0899 today to
place your order.

Earl Rabold
Product Manager/Suspensions



Visit us on the World Wide Web at www.daytonparts.com

Dayton Parts, LLC • PO Box 5795 • Harrisburg, PA 17110-0795 • 800-233-0899 • Fax 800-225-2159
Dayton Parts/Batco • 12390 184th Street • Edmonton, Alberta T5V 0A5 • 800-661-9861 • Fax 888-207-9064

New Product - Suspension Service Kit

Update #2219A

Attention: Dayton Parts' Distributors and Business Partners.

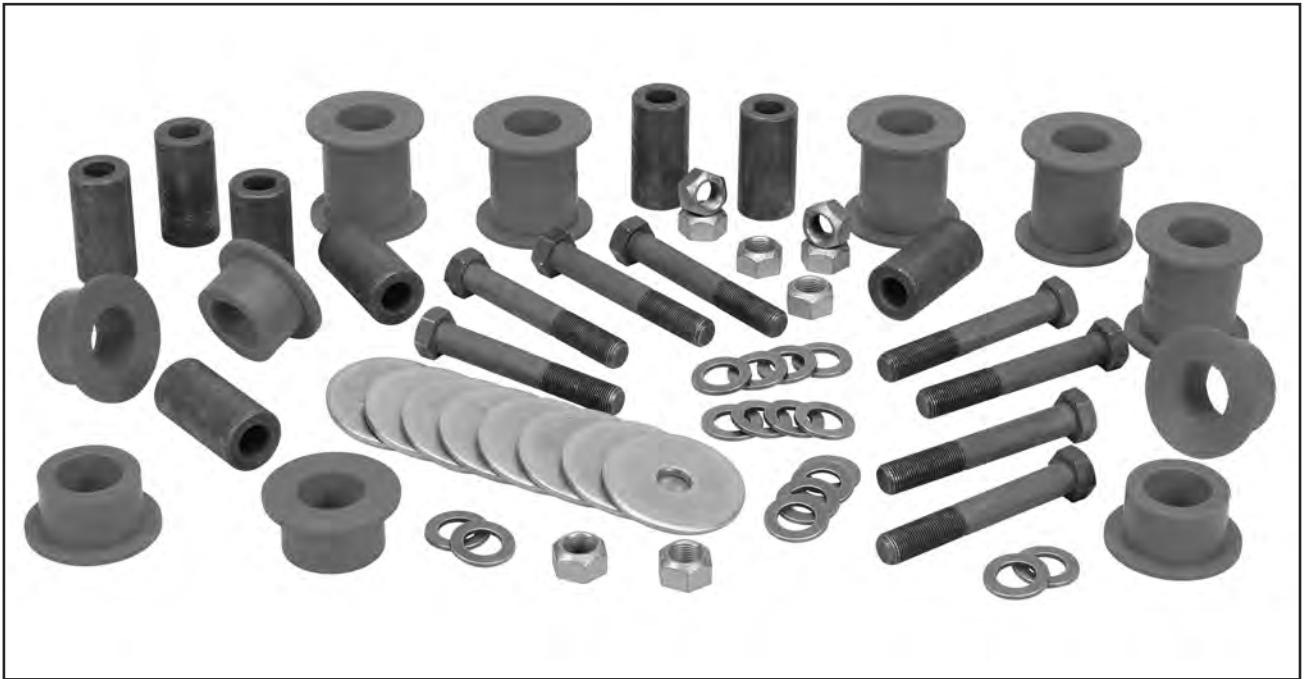
Dayton Parts would like to make you aware of new product availability:

Dayton Part Number: 339-299

Service Kit, Bushing Replacement

Watson & Chalin

Used on SL1900 Steerable Auxiliary Lift Axle Suspension. Includes two piece urethane bushings and hardware for four arms.



339-299 — Suspension Service Kit

Used on Watson & Chalin SL1900 Steerable Auxiliary Lift Axle Suspension

Call 800-233-0899 today to place your order.

A handwritten signature in black ink, appearing to read 'Earl Rabold', written in a cursive style.

Earl Rabold
Product Manager/Suspensions

Visit us on the World Wide Web at www.daytonparts.com

Dayton Parts, LLC • PO Box 5795 • Harrisburg, PA 17110-0795 • 800-233-0899 • Fax 800-225-2159
DP/Batco Canada • 12390 184th Ave. • Edmonton, Alberta T5V 0A5 • 800-661-9861 • Fax 888-207-9064

Update #2351

Product Update - 3030 Combo Air Chambers

Attention: Dayton Parts' Distributors and Business Partners.

Dayton Parts private branded 3030 combo air chambers.

We've been getting calls for some time from customers looking for a standard 3030 combo air chamber with a longer pushrod in the 14" to 15-1/2" range for some trailer applications. At first we thought about just extending the pushrod length on our standard 3030CIS from 12" to 16" but it appears these trailer application are a fairly small portion of the market. Therefore we've decided to add a brand new chamber with an 18" pushrod length, part number 3030CIS18. The chamber itself is the same as our 3030CIS which we've had in our product offering since 2006.



All three chambers have the following features –

1. A single piece band clamp for the spring brake with a tamper resistant bolt.
2. Mounting housing and top cap have e-coat paint for corrosion resistance.
3. The service brake clamp is rotated 15° off the centerline to accommodate close mounting applications.
4. Service and spring brake diaphragms are reinforced with nylon cord.
5. Pushrods are threaded to within 1" of the mounting housing once the spring brake is charged.
6. Comes with (1) 5/8"-18 x 1/2" clevis assembly plus (2) 5/8"-11 nuts and lock washers for the mounting studs.

The 3030CLS long stroke has square shaped ports to identify it is a long stroke air chamber.

Call 800-233-0899 today to place your order.

Steven S. Wolf
Axle Group Product ManagerVisit us on the World Wide Web at www.daytonparts.com

Dayton Parts, LLC • PO Box 5795 • Harrisburg, PA 17110-0795 • 800-233-0899 • Fax 800-225-2159
DP/Batco Canada • 12390 184th Ave. • Edmonton, Alberta T5V 0A5 • 800-661-9861 • Fax 888-207-9064

Product Update - 3030 Combo Air Chambers

Update #2351 (continued)

Photo details



3030CIS
Standard Stroke
12" Pushrod Length
Round Ports

3030CLS
Long Stroke
14" Pushrod Length
Square Ports

3030CIS18
Standard Stroke
18" Pushrod Length
Round Ports

The 3030CLS long stroke has square shaped ports to identify it is a long stroke air chamber.

New Product - 3030CW & 3030CLW Air Chambers

Update #2356

Attention: Dayton Parts' Distributors and Business Partners.

New air chambers for drive axle applications –

We've recently added a standard stroke and a long stroke 3030 air chamber with a welded clevis assembly for some particular drive axle applications. Spacing on the pre-welded auto slack clevis pins center to center is 1.3".

Both chambers are in stock and available for shipment in our Harrisburg and Lewisville warehouses.



The 3030CLW long stroke has square shaped ports to identify it is a long stroke air chamber.

Call 800-233-0899 today to place your order.

Steven S. Wolf

Steven S. Wolf
Axle Group Product Manager

Visit us on the World Wide Web at www.daytonparts.com

Dayton Parts, LLC • PO Box 5795 • Harrisburg, PA 17110-0795 • 800-233-0899 • Fax 800-225-2159
DP/Batco Canada • 12390 184th Ave. • Edmonton, Alberta T5V 0A5 • 800-661-9861 • Fax 888-207-9064



Product Update - Cam Kit Bushings

Update #2354

Attention: Dayton Parts' Distributors and Business Partners.

Cam kits with 03-209 or 03-2091 cam support bushings

All of our 08-1306XX camshaft kits that end with a "1" come with our 03-209 support bushing assembly. Originally crafted by the yellow box people who are long since gone, this newer design support bushing has a long straight grease zerk that screws directly into the bushing through a small square cut-out in the retainer plate and the o-rings are relocated internally in grooves inside the support bushing. A couple of issues have always plagued this "alternative" design support bushing –

1. If someone doesn't regularly maintenance the camshaft support bushings with lubrication (now that never happens in the heavy truck industry does it?) and the support bushing seizes onto the camshaft support journal what happens? When you make a brake application the support bushing rotates with the camshaft and the small square cut-out in the retainer plate works like a knife and shears off the grease zerk. Not good.
2. With the o-rings relocated internally in the support bushing this can make the camshaft much harder to install. Now you have to compress the o-rings into the grooves in order to get the camshaft through the support bushing. Granted this design seals really well but it's kinda' excessive since it's a very simple non-pressure grease application. Not necessary.

In response to these issues some time ago, we brought back the original Rockwell design support bushing under our part number 03-2091. This design has a 90° grease zerk that screws into the retainer plate instead of the bushing. This takes care of issue number 1 plus the 90° zerk screwed into the retainer plate is very sturdy in case a service tech grabs the grease whip and uses it to yank the grease coupler off the end of the zerk. Second the original design has much thicker o-rings on the outside of the bushing so all the cam has to do is expand the o-rings into the retainer plates to get a good enough seal for the application. This makes it a piece of cake to install the camshaft because it's a lot easier to expand an o-ring than it is to compress it. On the right is a list of our 08-1306XX cam kits with the 03-209 support bushing which end in "1" and the corresponding kit with the 03-2091 support bushing which end in "5". Each of the corresponding kits (ex: 08-130601 and 08-130605) are priced the same.

08-Cam Kit w/ 03-209 Bushing	08-Cam Kit w/ 03-2091 Bushing
Zerk Screws into the Bushing	Zerk Screws into the Retainer Plate
08-130101	08-130105
08-130111	08-130115
08-130121	08-130125
08-130151	08-130155
08-130161	08-130165
08-130171	08-130175
08-130601	08-130605
08-130611	08-130615
08-130621	08-130625
08-130631	08-130635
08-130651	08-130655
08-130661	08-130665
08-130671	08-130675
08-130681	08-130685

Call 800-233-0899 today to place your order.

Steven S. Wolf
Axle Group Product Manager

Visit us on the World Wide Web at www.daytonparts.com

Dayton Parts, LLC • PO Box 5795 • Harrisburg, PA 17110-0795 • 800-233-0899 • Fax 800-225-2159
DP/Batco Canada • 12390 184th Ave. • Edmonton, Alberta T5V 0A5 • 800-661-9861 • Fax 888-207-9064

Product Update - HD1 Brake Drum Family

Update #2353

Attention: Dayton Parts' Distributors and Business Partners.

HD1 Brake drum family

Over the last several years in order to meet the market demands that our distributors are faced with we've made several additions to our HD1 brake drum offering. With the latest addition of our HD1HM we thought it was a good idea to put together a flyer of the entire offering to make it simpler to find the right drum for the particular application you're working on. All of these drums have the same 8.78" pilot, 11.25" (10) hole bolt circle mounting and a 10.62" overall height. Steel used for production meets SAE J431 G11H20 (the old G3500) standard.



HD1 – Drum weight 114.4 lbs, as cast balanced.

Good for all general applications on or off road with some severe service braking.

HD1M – Drum weight 107.8 lbs, machine balanced.

Good for over the road applications only with no severe service braking.

HD1HM – Drum weight 118.8 lbs, machine balanced.

Good for all general applications on or off road with regular cycles of severe service braking.

HD1MX – Drum weight 106.8 lbs, Xtreme machine balanced.

Drum completely turned on the outside for uniform wall thickness.

Good for over the road applications only with no severe service braking.

HD1SD – Drum weight 131.0 lbs, as cast balanced.

This is our heavyweight.

Good for applications where severe service braking is the norm (old drum number HD21).

Call 800-233-0899 today to place your order.

Steven S. Wolf
Axle Group Product Manager

Visit us on the World Wide Web at www.daytonparts.com

Dayton Parts, LLC • PO Box 5795 • Harrisburg, PA 17110-0795 • 800-233-0899 • Fax 800-225-2159
DP/Batco Canada • 12390 184th Ave. • Edmonton, Alberta T5V 0A5 • 800-661-9861 • Fax 888-207-9064

New Product - HD29M Brake Drum

Update #2355

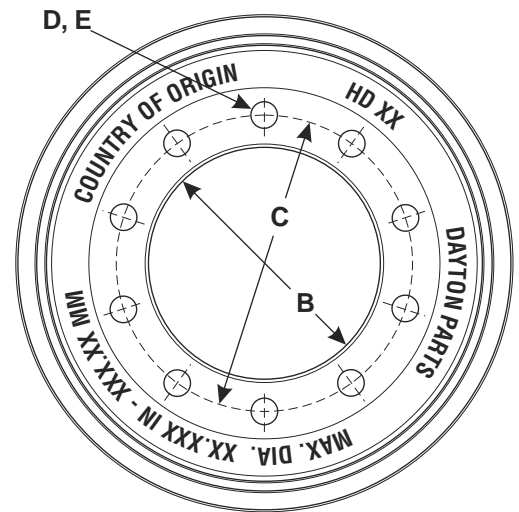
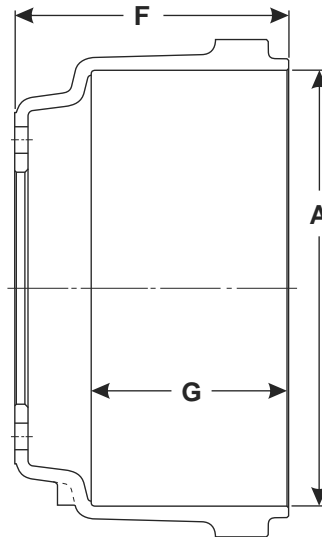
Attention: Dayton Parts' Distributors and Business Partners.

New addition to our HD heavy duty brake drum line –

Drum number - HD29M

- A - Drum diameter – 15.00"
- B - Pilot diameter – 8.78"
- C - Bolt circle – 11.25"
- D - Stud holes – 10
- E - Hole size – 1.00"
- F - Overall height – 11.90"
- G - Brake surface – 9.30"

Drum weight – 105.0 lbs
 Mount – Outboard
 Machine balanced – Yes



Interchanges –

Gunite – 3744X
 KIC – 54228-018
 Webb – 61988B

This drum rounds out our product offering for 15.00" x 8.62" brake applications which are usually found behind 19.5" low profile tires.

This new drum is already in stock and available for shipment in our Harrisburg and Lewisville warehouses.

Call 800-233-0899 today to place your order.

Steven S. Wolf
 Axle Group Product Manager

Visit us on the World Wide Web at www.daytonparts.com

Dayton Parts, LLC • PO Box 5795 • Harrisburg, PA 17110-0795 • 800-233-0899 • Fax 800-225-2159
DP/Batco Canada • 12390 184th Ave. • Edmonton, Alberta T5V 0A5 • 800-661-9861 • Fax 888-207-9064

Machine Xtreme Brake Drums

Update #2357

Attention: Dayton Parts' Distributors and Business Partners.

New addition to the HD Machine Xtreme Drum Line

The latest addition to this product line is our new HD6MX steer axle drum. Our line of HD Machine Xtreme drums are fully machined inside and out to provide a uniform wall thickness that is otherwise unobtainable. This greatly enhances the drum's ability to expand and dissipate heat evenly as the brake temperature rises. Also with the additional external machining for all practical purposes this drum is **"perfectly"** balanced. This is a great selling feature for a steer axle application where a balanced drum makes a lot of sense.

This drum is in stock in our Harrisburg and Lewisville locations to add to your next PPD stock order.

Watch for more additions to this expanding product line in the near future!



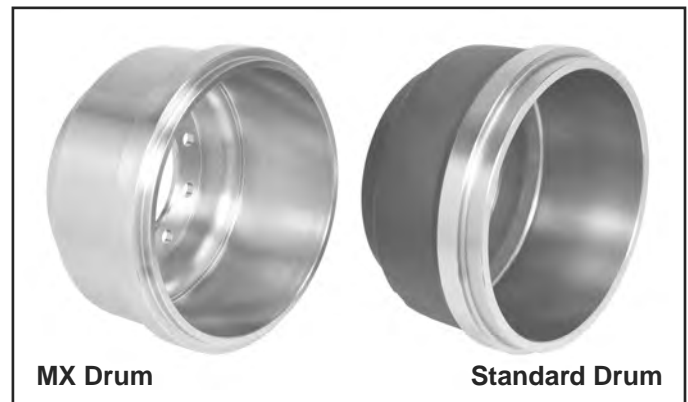
Current HD Machine Xtreme Drum Offering

MX Drums
are fully machined
inside and outside

Call 800-233-0899 today to place your order.

Steven S. Wolf

Steven S. Wolf
Axle Group Product Manager



Visit us on the World Wide Web at www.daytonparts.com

Dayton Parts, LLC • PO Box 5795 • Harrisburg, PA 17110-0795 • 800-233-0899 • Fax 800-225-2159
DP/Batco Canada • 12390 184th Ave. • Edmonton, Alberta T5V 0A5 • 800-661-9861 • Fax 888-207-9064

**New Product - Hendrickson Auxilliary
COMPOSILITE SCT Tie Rods**

Update #2371

Attention: Dayton Parts' Distributors and Business Partners.

Dayton Parts would like to make you aware of new product availability:

Dayton Part Number: 347-401A

Hendrickson Auxilliary, Tie Rod Assembly, R-009889

Used on COMPOSILITE SCT 10 series self steer lift axle. "A" Length = 59", "C to C" Length = 63 3/8"

Dayton Part Number: 347-402A

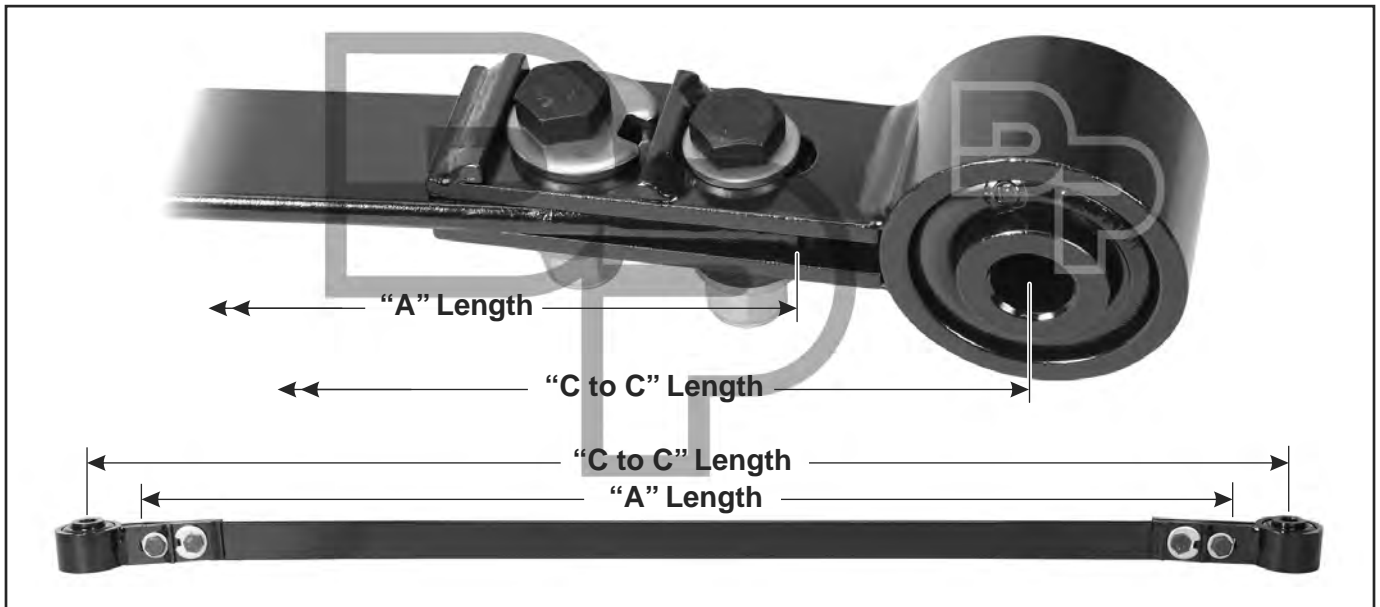
Hendrickson Auxilliary, Tie Rod Assembly, R-009426

Used on COMPOSILITE SCT 13 series self steer lift axle. "A" Length = 61", "C to C" Length = 66 1/4"

Dayton Part Number: 347-403A (shown)

Hendrickson Auxilliary, Tie Rod Assembly, R-009989

Used on COMPOSILITE SCT 20 series self steer lift axle. "A" Length = 54 7/8", "C to C" Length = 59 1/4"



347-403A Tie Rod Assembly

Call 800-233-0899 today to place your order.

Steven S. Wolf

Steven S. Wolf
Axle Group Product Manager

Visit us on the World Wide Web at www.daytonparts.com

Dayton Parts, LLC • PO Box 5795 • Harrisburg, PA 17110-0795 • 800-233-0899 • Fax 800-225-2159
Dayton Parts/Batco • 12390 184th Street • Edmonton, Alberta T5V 0A5 • 800-661-9861 • Fax 888-207-9064



Product Update - New Lined Brake Shoes

Update #2352

Attention: Dayton Parts' Distributors and Business Partners.

Dayton Parts private branded new lined brake shoes

Dayton Parts has had a product offering of private branded new lined brake shoes (ex: 4515QW) for some time now. With the addition of the Marathon new lined brake shoe program in 2010 (which has been an astounding success thanks to all of you!) the time has come for a change. First there will be a part number change so the numbering sequence will be more in line with what we use for our Marathon program. The first part of the new part number will tell you the axle weight rating "23" for 23k and the second part "DP" will tell you it's our private branded friction material. The third part of the new number will be the same base brake shoe number (ex: 4707QP) that we use in our Marathon program (ex: old number 4707W and new number 23DP4707QP).

Supersessions from the current number to the new part number are listed below -

Current P/N	New P/N
1308EW	23DP1308E
1308EW00	SB23DP1308E
1443W	23DP1443ES
1443W00	SB23DP1443ES
4311W	23DP4311E
4311W01	SB23DP4311E
4515QW	23DP4515Q
4515QW31	SB23DP4515Q
4702W	23DP4702QP
4702W00	SB23DP4702QP
4707W	23DP4707QP
4707W31	SB23DP4707QP
47092W	23DP4709E2
47092W02	SB23DP4709E2

This will be a running change. The loose brake shoes will "flip" first in our system to the new part number followed by the shoeboxes as we run out of them. There will also be a change in the edge code color to again keep more in line with our Marathon program. The current red color we use on our private branded shoes is what Marathon uses for their Heat Star material (our 23P). However our DP friction material is more comparable to Marathon's FLOE material (our 23M) which has a brown edge code color therefore the new "23DP" shoes will have a tan/brown edge code color. This is a change in the edge code color only as the friction material remains unchanged.

Some of the loose shoe numbers should start to flip in the next few weeks.

Call 800-233-0899 today to place your order.

Steven S. Wolf
Axle Group Product Manager

Visit us on the World Wide Web at www.daytonparts.com

Dayton Parts, LLC • PO Box 5795 • Harrisburg, PA 17110-0795 • 800-233-0899 • Fax 800-225-2159
DP/Batco Canada • 12390 184th Ave. • Edmonton, Alberta T5V 0A5 • 800-661-9861 • Fax 888-207-9064



Brake and Wheel Products

55k & 62k Capacities

Standard Mount

LANDING GEAR

3 Gear / 2 Speed Operation



LG-6200 Series
Self-leveling foot
(shown)

LG-5500 Series

- 55,100 lb. lift capacity
- 132,000 lb. load capacity
- Sets available with 17" or 19" lift
- 4.5" sand shoe, 2" low sand shoe or self-leveling foot
- Greasable shafts and gears
- 1 year warranty



LG-5500 Series
4.5" Standard
Sandshoe (shown)

LG-6200 Series

- 61,700 lb. lift capacity
- 176,300 lb. load capacity
- Sets available with 17" or 19" lift
- 4.5" sand shoe, or self-leveling foot
- Greasable shafts and gears
- 1 year warranty



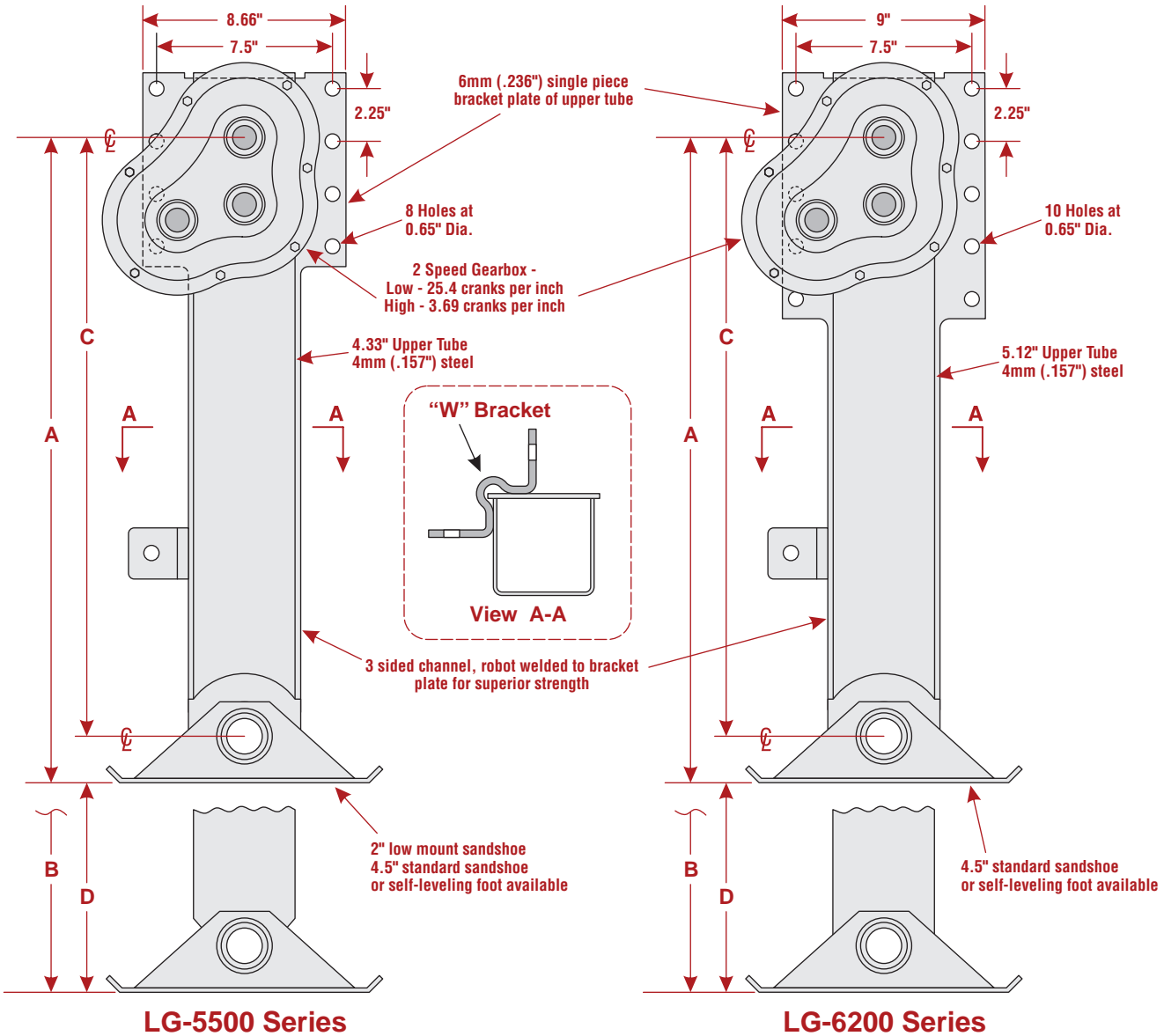
**LG-WBR
Bracket**

Special W Bracket
used to accomodate
the superior leg design



Batco® brand Brake and Wheel
Products from Dayton Parts, LLC

55k & 62k Standard Mount Landing Gear



Part No.	Shoe Description	Retracted (A)	Extended (B)	C to C (C)	Lift (D)	Kit Part No.
LG-5500 Series						
LG-5517LS	Sand Shoe, 2.1" High	27.7"	44.6"	25.6"	16.9"	LG-5517LSK*
LG-5519LS	Sand Shoe, 2.1" High	29.7"	48.6"	27.6"	18.9"	LG-5519LSK*
LG-5517SS	Sand Shoe, 4.5" High	30.1"	47.0"	25.6"	16.9"	LG-5517SSK*
LG-5519SS	Sand Shoe, 4.5" High	32.1"	51.0"	27.6"	18.9"	LG-5519SSK*
LG-5517RF	Self-Leveling, 9.8" Sq.	29.1"	46.0"	25.6"	16.9"	LG-5517RFK*
LG-5519RF	Self-Leveling, 9.8" Sq.	31.0"	49.9"	27.6"	18.9"	LG-5519RFK*
LG-6200 Series						
LG-6217SS	Sand Shoe, 4.5" High	30.3"	47.2"	25.8"	16.9"	LG-6217SSK*
LG-6219SS	Sand Shoe, 4.5" High	32.3"	52.2"	27.8"	18.9"	LG-6219SSK*
LG-6217RF	Self-Leveling, 9.8" Sq.	30.3"	47.2"	25.8"	16.9"	LG-6217RFK*
LG-6219RF	Self-Leveling, 9.8" Sq.	32.2"	51.1"	27.8"	18.9"	LG-6219RFK*

Retracted Height (A) is measured from Cross Shaft Center Line to the Bottom of the Foot at Full Retraction.
 Extended Height (B) is measured from Cross Shaft Center Line to the Bottom of the Foot at Full Extension.

*Kits include: (2) LG-WBR Brackets, (1) 11-0103 Crank, (1) 11-0155 Cross Shaft





Example Axle Part Number — R225S567L715

Below is a breakdown of what our axle part numbers mean:

Spindle — (R225S567L715)

“R” - Tapered spindle - HM212049/HM218248 bearing combination

“P” - Parallel spindle - HM518445/HM518445 bearing combination

Wall Thickness — (R225S567L715)

“200” - 5/8" Wall rated at 20,000 lbs for air ride, 22,500 lbs for spring suspensions

“225” - 5/8" Wall rated at 22,500 lbs for air ride, 25,000 lbs for spring suspensions

“250” - 3/4" Wall rated at 25,000 lbs for air ride, 27,500 lbs for spring suspensions

Axle Tube — (R225S567L715)

“S” - Straight

“D” - 6" Drop center

Axle Tube Size — (R225S567L715)

“5” - 5" Round

Brake Drum Diameter — (R225S567L715)

“6” - 16.5" Drum diameter

“2” - 12.25" Drum diameter

Brake Shoe Width — (R225S567L715)

“7” - 7" wide shoe with 16.5" drum

“7” - 7.5" wide shoe with 12.25" drum

Cam Length — (R225S567L715)

“L” - Straight axle long cam - 24.12"

“X” - Drop center axle - 22.40"

Axle Track — (R225S567L715)

“715” - 71.5" axle track

“775” - 77.5" axle track

Available Axles:

“R” Series

R200D567X715 - 6" Drop center

R225S527L715 - 12.25" Brakes

R225S567L715

R225S567L775

R250S527L775 - 12.25" Brakes

R250S567L715

R250S567L775

“P” Series

P225S567L715

P225S567L775

P250S567L715

P250S567L775

Part	Qty/Axle	Part Number	Description
"R" Series - Hub Pilot Wheels			
Hub Options	2	11-0656A-71 11-0656A-72	Short Metric Stud - Steel Wheels Long Metric Stud - Aluminum Wheels
Wheel Nuts	20	13-3052	22mm Nut - 33mm Hex
"R" Series - Stud Pilot Wheels			
Hubs	1 1	11-0656A-73L 11-0656A-73R	Short Standard Stud LH Short Standard Stud RH
Inner Nut Options	10	13-3005L 13-3028L 13-3026L	Steel to Steel LH Steel to Aluminum LH Alum to Aluminum LH
	10	13-3005R 13-3028R 13-3026R	Steel to Steel RH Steel to Aluminum RH Aluminum to Aluminum RH
Outer Nuts	10 10	13-3012L 13-3012R	Outer Nut LH Outer Nut RH
"R" Series - Bearings, Hubcaps and Seals			
Hubcaps	2	11-0674	6 Bolt Cap w/gasket
Bearings	2	HM218248	Inner Bearing
	2	HM212049	Outer Bearing
Wheel Seal	1	65650UT	Triseal Axle Set w/Installation Tool
"P" Series - Hub Pilot Wheels			
Hub Options	2	11-0659A-71 11-0659A-72	Short Metric Stud - Steel Wheels Long Metric Stud - Aluminum Wheels
"P" Series - Bearings, Hubcaps and Seals			
Hubcaps	2	11-0669	6 Bolt Cap w/gasket
Bearings	2	HM518445	Inner Bearing
	2	HM518445	Outer Bearing
Wheel Seal	1	65262UT	Triseal Axle Set w/Installation Tool
"R" & "P" Series - Parts in Common			
Brake Drum Options	2	HD1 HD1SD HD1M HD1HM	Brake Drum - Standard Duty - 112 lbs Brake Drum - Severe Duty - 131 lbs Brake Drum - Balanced Standard - 108 lbs Brake Drum - Balanced Heavy Duty - 118 lbs
Air Chamber Options	2	3030C 3030CIS	Di-Pro Dayton Parts Private Brand
Auto Slack Options	2	05-362 05-462 05-562 05-662 05-762	1.5"-28 x 6" Meritor type 1.5"-28 x 6" Bendix type 1.5"-28 x 6" Crewson type 1.5"-28 x 6" Haldex type 1.5"-28 x 6" Gunite type
Hubcap Bolts	12	02-473	5/16"-18 x 7/8" Grade 5